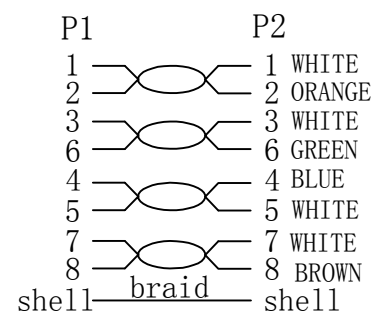


WIRING DIAGRAM(568B)



NOTE:

1. ELECTRICAL TEST:
 - (1). 100% OPEN SHORT, MISS WIRE TEST
 - (2). INSULATION RESISTANCE:DC 300V 10MΩ ;
 - (3). CONDUCTOR RESISTANCE:3Ω Max (More than 3m, add one ohm per meter) ;
2. Fluke channel link test:
TEST LIMIT:ISO11801 Channel Class Ea
3. PRINT WORD:
CAT. 6A S/FTP LSZH 500MHz ISO/IEC 11801 & EN 50173-1 & ANSI/TIA-568-C.2
4. ROHS2.0 & REACH COMPLIANT
5. Minimum of the bending radius is 50mm
(Suitable for all meters)

MATERIAL LIST

③	OVER MOLD	PVC 75A SEE THE CHART	2	
②	CONNECTOR	RJ45 8P8C Shielded Plug, Pin Gold Plated 3u", Shell Nickel Plating, Transparence blue	2	
①	CABLE	S/FTP CAT. 6A 27AWG(7/0.135Bare Copper*1P+AL-FOIL)*4PAIRS+BRAID (5*16/0.12mmAL-MG) COLOUR:BLACK/BALCK 3C JACKET:LSZH OD:6.2±0.2mm	1	
NO.	PARTS NAME	SPECIFICATION STANDARD	QT' Y	REMARK
		NEW	2015-10-21	A
BY	CHK	REVISION RECORD MODIFICATION	DATE	REV.

COLOUR: BLACK (PANTONE: BLACK 3C)		
ITEM NO.	LENGTH	TOLERANCE
21.99.1960	0.5m	±15mm
21.99.1961	1m	±30mm
21.99.1962	2m	±60mm
21.99.1963	3m	±90mm
21.99.1965	5m	±150mm
21.99.1966	7m	±210mm
21.99.1967	10m	±300mm
21.99.1968	15m	±450mm
21.99.1969	20m	±600mm

ITEM NO.	21.99.1960	21.99.1961	21.99.1962	21.99.1963	21.99.1965
	21.99.1966	21.99.1967	21.99.1968	21.99.1969	
DESC.	VALUE S/FTP CAT. 6a Patch Cord, black				

